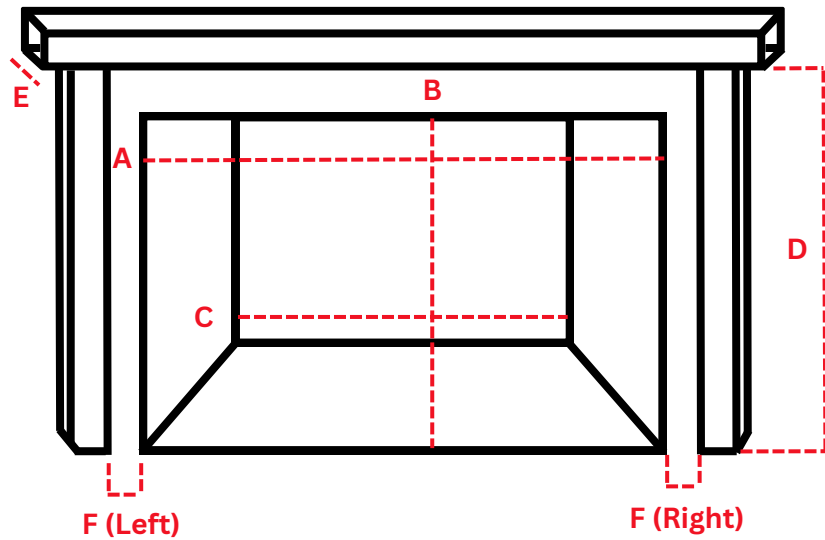


Name _____

Job Address _____

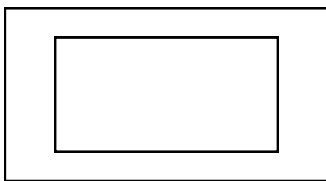
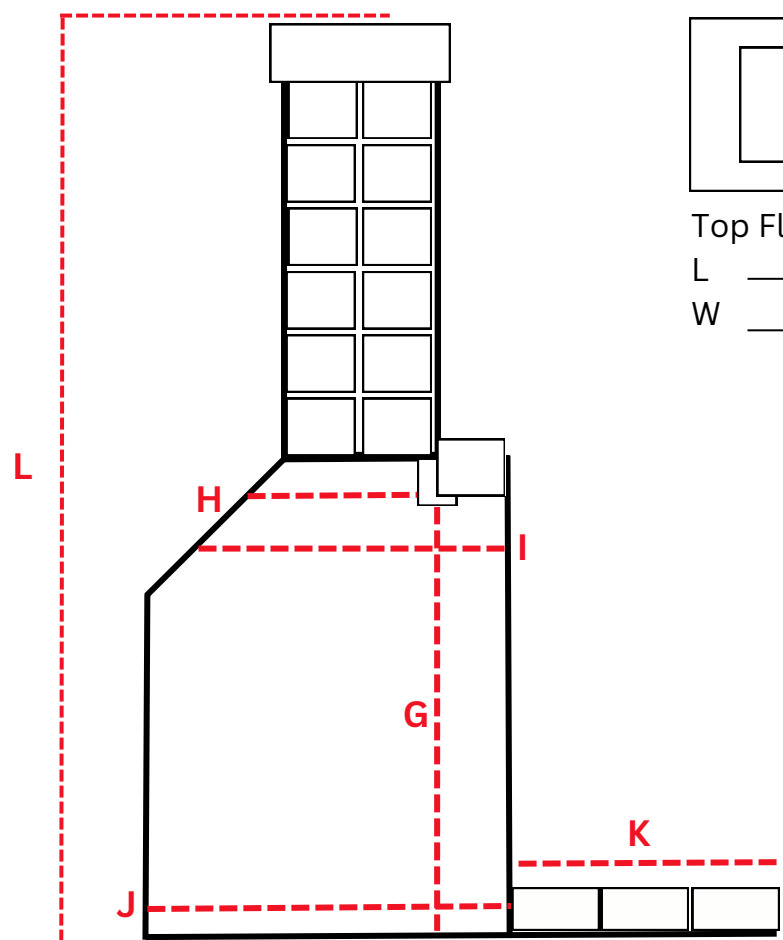
1544 HWY 99N Eugene OR 97402 | 541-343-1131 | sales@midgleys.com

Front View:



- A) Front opening width _____
- B) Hearth to Lintel Bar _____
- C) Rear Wall _____
- D) Hearth to Mantel _____
- E) Depth of Mantel _____
- F) Distance to Combustibles (Wall/ Shelves/ Mantels) Left: _____ Right: _____

Side View:



Top Flue Dimensions
L _____
W _____



- G) Lintel Bar to Floor _____
- H) Rear of Lintel Bar to back wall _____
- I) Depth of the top of firebox _____
- J) Depth at Bottom of firebox _____
- K) Depth of Hearth _____
- L) Height of fireplace/ chimney _____